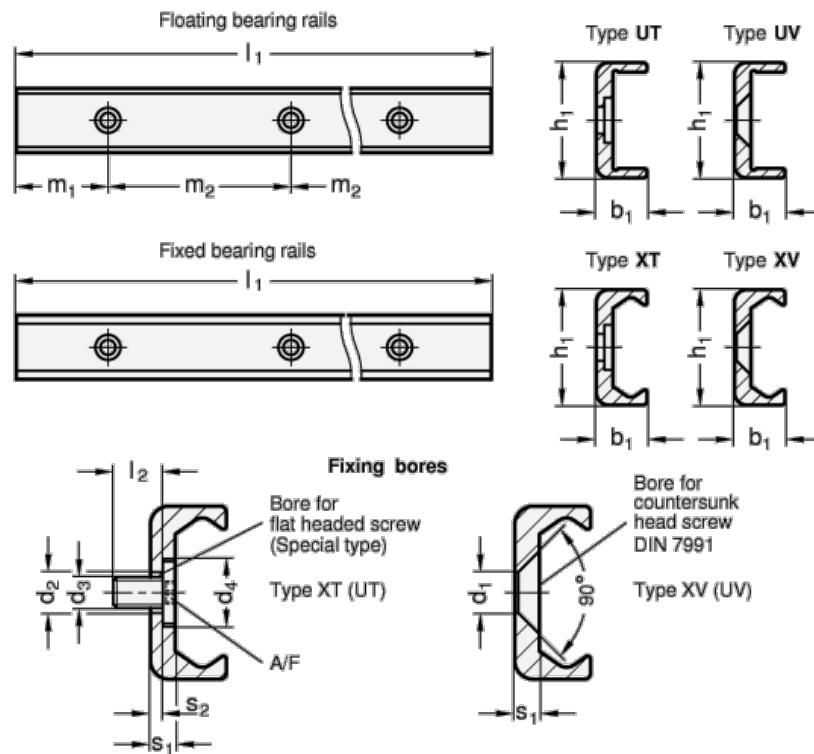


Article number: 2024223580040XV

Description: E+G Compact Profile GN 2422-35-800-40

Measures



A/F =	L2 =	=
b1 = 16.5	m1 = 40	=
d1 = 6.5	m2 = 80	=
d2 =	s1 = 3.5	=
d3 =	s2 =	=
d4 =	Weight in (g) = 1272	=
h1 = 35		
L1 = 800		